

$$\Delta p \geq \Delta p_{\min} \rightarrow Q = Q_{\text{nom}}$$

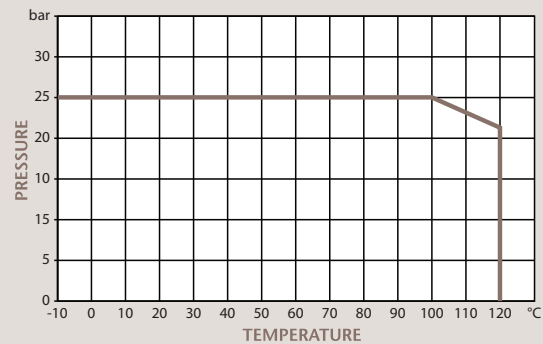
$$\Delta p < \Delta p_{\min} \rightarrow Q = Kvs \sqrt{\Delta p}$$

PN25 Pressure Independent Control Valve (PICV or PIBCV)

Features

- DZR Brass body (CW602N-M)
- Easy Flow selection via preset dial
- Automatic flow balancing with fluctuating pressures
- Flow modulation along whole control actuator stroke (ART C21V, C22V, C23E)
- Reduction of commissioning, improved energy saving
- Phased installation & system future proofing
- Union tall pieces BSPM 2 required per valve

Pressure/Temperature



DN	10LF	10HF	15LF	15HF	20HF	25HF
A	35	35	35	35	35	35
B	75	75	75	75	85	83
B1	130	130	130	130	150	146
C	53	53	65	65	82	104
D	9	9	11	11	12	13
T	G. 1/2"	G. 1/2"	G. 3/4"	G. 3/4"	G. 1"	G. 1 1/4"
CH	39	39	39	39	39	39
Kgs	0.450	0.450	0.490	0.490	0.790	0.960
Flow (l/s)	0.012-0.042	0.024-0.097	0.024-0.097	0.027-0.134	0.042-0.25	0.076-0.447
Min ΔP (kPa)	15-16	13-16.5	13-16.5	12.5-19.5	18-26	18-37
Kvs	0.11-0.37	0.24-0.86	0.24-0.86	0.27-1.09	0.35-1.77	0.64-2.65

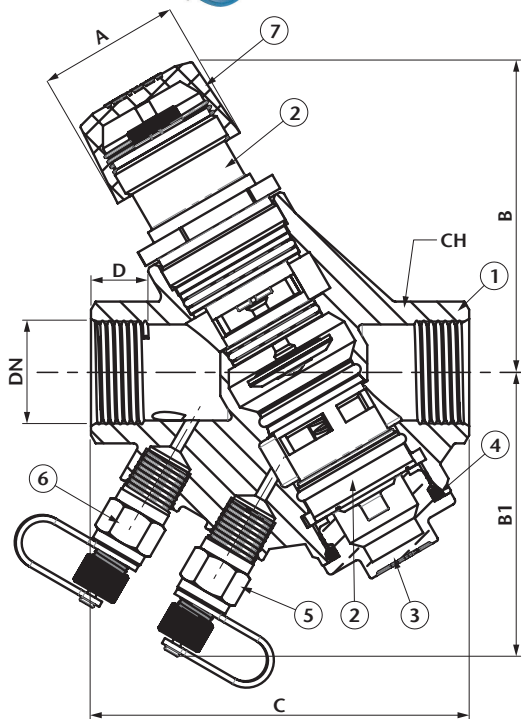
N.	Part Name	Materials
1	Body	DZR Brass
2	Bonnet	DZR Brass
3	Fixing Ring	DZR Brass
4	Stem	Stainless Steel
5	Locking Nut	Brass
6	Plastic Cap	Plastic
7	Dial	Plastic
8	DPC Controller	DZR Brass
9	Gasket	EPDM
10	Regulator	DZR Brass
11	Binder	DZR Brass

Technical Data

Max Pressure	25 Bar
Working Temperature	-10°C to +120°C
Differential Pressure Range	4 Bar (400 kPa)

Dimensions in mm

This data sheet is designed as a guide and should not be regarded as wholly accurate in every detail. We reserve the right to amend the specification of any product without notice.

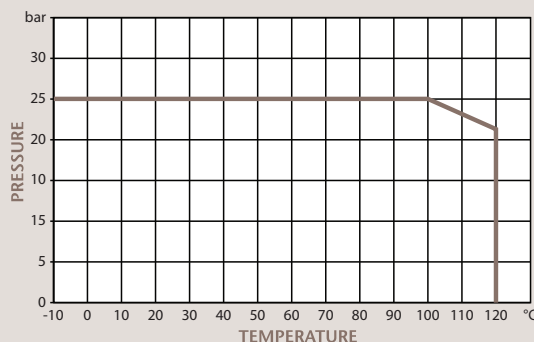


PN25 Pressure Independent Control Valve (PICV or PIBCV)

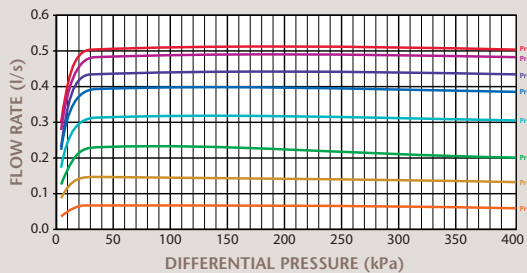
Features

- DZR Brass body (CW602N-M)
- Easy Flow selection via preset dial
- Automatic flow balancing with fluctuating pressures
- Flow modulation along whole control actuator stroke (ART C21V, C22V, C23E)
- Reduction of commissioning, improved energy saving
- Phased installation & system future proofing
- Easy flush due to simple removal of control cartridge

Pressure/Temperature



Flow Rate/Differential Pressure



Technical Data

Max Pressure	25 Bar
Working Temperature	-10°C to +120°C
Differential Pressure Range	4 Bar (400 kPa)

DN	15LF	15HF	20LF	20HF	25LF	25HF	32	40	50
A	35	35	35	35	35	35	35	35	35
B	81	81	81	81	81	81	87	120	130
B1	72	72	72	72	72	72	76	87	93
C	96	96	97	97	103	103	128	144	155
D	14	14	15	15	16	16	19	17	20
CH	27	27	32	32	39	39	47	54	69
Kgs	0.875	0.875	0.860	0.860	1.015	1.015	1.460	2.550	3.200
Flow (l/s)	0.022-0.174	0.068-0.479	0.036-0.292	0.081-0.566	0.064-0.478	0.081-0.566	0.129-0.849	0.562-1.974	0.612-2.385
Min ΔP(kPa)	14.5-16	14-18	14.5-16	14-22	14-16	14-22	14.5-18	16-26	19-32
Kvs	0.21-1.57	0.65-4.06	0.34-2.63	0.78-4.34	0.62-4.30	0.78-4.34	1.22-7.20	5.06-13.94	5.05-15.18

N.	Part Name	Materials
1	Body	DZR Brass
2	Bonnet	DZR Brass
3	Plug	DZR Brass
4	O-Ring	EPDM
5	Blue Binder Point	DZR Brass
6	Red Binder Point	DZR Brass
7	Plastic Cap	Plastic

Dimensions in mm

This data sheet is designed as a guide and should not be regarded as wholly accurate in every detail. We reserve the right to amend the specification of any product without notice.